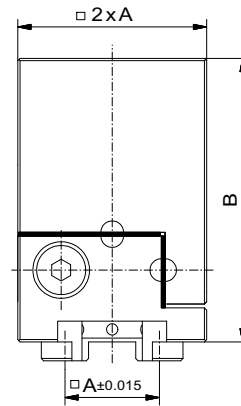


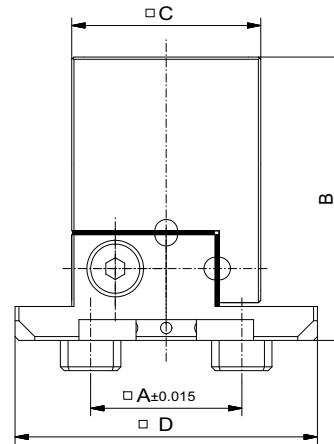
3D Shim blocks with contour block

Nr. left	Nr. right	A(AF)	B	shift	
91834-E	280766-E	25	75	x,y,z: +/-0,7mm	473
92808-E	280770-E	25	100	x,y,z: +/-0,7mm	590
91835-E	280767-E	40	120	x,y,z: +/-1,1mm	2.074
91836-E	280768-E	50	150	x,y,z: +/-1,1mm	4.275



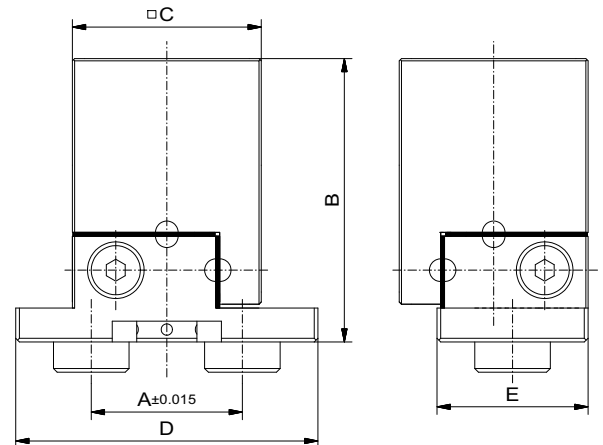
3D Shim block reducers with contour block

Nr. left	Nr. right	A(AF)	B	C	D	shift	
91839-E	280765-E	40/25	75	50	80	x,y,z: +/-0,7mm	839
91840-E	280770-E	50/25	75	50	100	x,y,z: +/-0,7mm	645



3D Shim blocks with contour block excentric

Nr. left	Nr. right	A(AF)	B	C	D	E	shift	
281460-E	281461-E	40/25	75	50	80	40	x,y,z: +/-0,7mm	450



ALUFIX ECO elements can be anodized in different colours. The colour natural (-E) is standard, blue (-E2) is available as an alternative. Black (-E1) and other colours on request